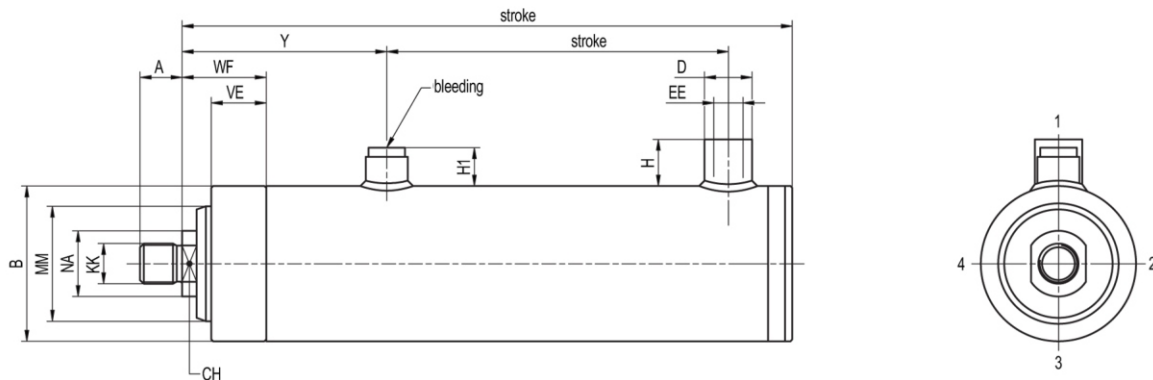


ME18 MM Plu.

single acting hydraulic cylinders



All dimensions are in millimetres.

MM Ø	A	B Ø	CH	H*	H	H1 max	D Ø	EE	KK	NA	WF	VE	Y ± 5	PJ** ± 5	ZJ**	V**
25	17	50	12	37	15	21	20	G 1/4	M 12×1,25	14	25	10	65	0	85	25
32	19	60	15	37	15	21	20	G 1/4	M 14×1,5	17	25	10	70	0	90	25
40	16	60	22	42	16	21	26	G 3/8	M 16×1,5	25	40	25	88	0	110	30
50	16	75	22	42	16	21	26	G 3/8	M 16×1,5	25	45	30	91	0	113	35
63	23	85	30	42	16	21	26	G 3/8	M 22×1,5	34	46	30	112	0	134	35
70	35	95	36	42	16	21	26	G 3/8	M 35×1,5	40	47	30	112	0	134	35
80	35	105	36	42	16	21	26	G 3/8	M 35×1,5	40	49	30	112	0	134	40
100	45	140	46	48	18	21	30	G 1/2	M 45×1,5	50	52	35	137	0	163	40
125	58	165	60	57	21	21	38	G 3/4	M 58×1,5	65	55	35	155	0	182	40
140	65	190	65	57	21	21	38	G 3/4	M 65×1,5	70	55	35	165	0	206	60

* Block valve can be mounted into the attachment.

** In strokes shorter than 50 mm, mounting dimensions ZJ and PJ shall lengthen by the length of the stroke - 50mm.

** In strokes exceeding 500 mm, mounting dimensions ZJ and PJ shall lengthen by the length V, due to additional piston rod guidance.

